

Ford

TRANSIT CONNECT



Go Further



Visionary. Ingenious. Remarkable.
Every vehicle bears his signature.

Henry Ford

The new headquarters

The Ford Transit Connect is built to take on tough work and retain its eye-catching good looks. With the latest fuel-efficient engines and smart technology, it offers today's business a real competitive edge.



Make your work a pleasure

Car-like comfort, durable seating and a commanding driving position make the Transit Connect a relaxing and comfortable place to be. Great to drive, great to sit in, offering a high-quality finish without compromising everyday practicality.

Three up front

The dual passenger seat allows an extra passenger to be seated in the centre position for short journeys if required. The centre seat can also fold down to create a writing surface, and flips up to reveal a convenient storage box. (Standard on Trend and Limited, not available on Double Cab-in-Van or Commercial Kombi)

Vehicle shown is a Ford Transit Connect Trend (L1) in Frozen White body colour with alloy wheels (option), Ford SYNC 3 (option) and Dual Automatic Temperature Control (option).



The powerhouse

Powered by a choice of our latest Ford EcoBoost petrol and Duratorq diesel engines, Ford Transit Connect is designed to work as hard as you do. Combining power, durability and efficiency, Ford Transit Connect is the right partner for your business.

Petrol or diesel? We've made both options equally tempting.

1.0 Ford EcoBoost petrol

With turbocharging, direct petrol injection and variable valve timing, our award-winning Ford EcoBoost engines deliver the same performance as larger engines, but with much better fuel economy and lower emissions.

1.5 TDCi diesel

Our 75 PS, 100 PS and 120 PS TDCi diesel engines impress with their refined power and superb efficiency, offering fuel economy from just 72.4 mpg (combined) and 103 g/km CO₂ (1.5 TDCi ECONetic 100PS with standard Auto-Start-Stop and 62 mph speed limiter). On the open road or off the beaten track, their smooth torque delivery is invaluable on inclines or when overtaking.



Ford EcoBoost engine

Ford EcoBoost technology gives you the power of a big engine with the fuel economy and emissions of a small one. The latest ultra-efficient 1.0-litre Ford EcoBoost engine produces an impressive 100 PS, yet it delivers a combined fuel consumption of just 50.4mpg and CO₂ emissions of only 129 g/km unladen (Base and Trend Van and L1 DCiV).

Automatic transmission

The 100PS and 120PS TDCi diesel engines are available with a 6-speed automatic transmission, featuring Auto-Start-Stop as standard, making Transit Connect even easier and more relaxing to drive. (Option on diesel models only)



The stocktake

There's room for two Europallets and 3-metre long* items in the L1 van. L2 models can take up to four standard 8' x 4' boards in the load box and 3.4-metre long* items.

*In vehicles fitted with dual passenger seat and load-through bulkhead.
Vehicle shown is a Ford Transit Connect Trend (L2) in Moondust Silver metallic body colour (option) with 16" alloy wheels (option) and dual side load doors (option).



Engineered for durability. Tested for toughness

Like all Ford Transits, the Transit Connect has durability in its DNA. A relentless testing programme ensures it's a vehicle that lasts.



250,000 door shuts

We opened and closed the doors and bonnet over 250,000 times in real-world conditions to help ensure they will never let you down.



Load-through bulkhead

Carry items up to 3.0 metres in length in the L1 van, thanks to the clever load-through bulkhead. L2 models are capable of holding 3.4-metre long items. (Load-through bulkhead standard on Trend and Limited van)

Get more out of your van

Transit Connect's new full steel bulkhead increases usable loadspace by approximately 50 litres. The latest design enhances access through the side load door(s) and is compatible with many commercially-available van racking systems. (Standard on vans fitted with single passenger seat for vehicles produced from 4th Sept 2017)

The bodyguard

A comprehensive line-up of safety and driver assistance features makes use of the latest technology to protect the driver, passengers and their belongings.



Lane-Keeping System (includes Lane-Keeping Alert and Lane-Keeping Aid)⁰²⁾

It only takes a momentary slip in concentration to drift out of your lane when driving on the highway. Lane-Keeping Alert is designed to recognise when you approach the road markings without using the indicator, and alerts you with vibrations through the steering wheel. Lane-Keeping Aid is designed to apply a steering torque back towards the lane you were in to help you recognise that corrective action is required. (Option on Trend and Limited)



Active City Stop⁰³⁾

Designed to help reduce the likelihood of your van colliding with the vehicle in front in slow-moving traffic by applying the brakes if it is detected that a collision is likely. (Option, not available on ECONetic series)



Ford Blind Spot Information System⁰¹⁾

As another vehicle – a car, van or lorry – enters your blind spot, it is designed to alert you with a discreet warning light built into the driver's and passenger's door mirrors. (Part of Lane-Keeping System option). Vehicles with this option do not have blind spot eliminator (larger wing mirror).



Load Adaptive Control (LAC)⁰¹⁾

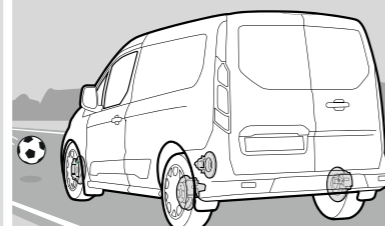
Designed to adjust the responses of the ESC⁰¹⁾ system to compensate when the vehicle is unladen, partially, or fully laden. (Standard)

Vehicle shown is a Ford Transit Connect Trend (L2) in Race Red solid body colour with optional alloy wheels.

Occupant safety

A full range of airbag protection is available, including driver and passenger* front airbags, seat-mounted side, head and thorax airbags and side curtain airbags⁵⁾. (Driver's airbag standard all other airbags optional)

Note: A rear-facing child seat should never be placed in the front passenger seat when the Ford vehicle is equipped with an operational front passenger's airbag.



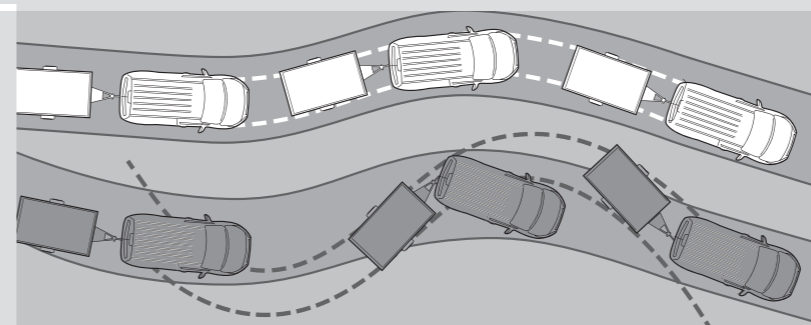
Emergency Brake Assist⁰¹⁾

Designed to recognise an emergency braking situation and increases the pressure within the braking system to provide optimum stopping power. (Standard)

Trailer Sway Control⁰¹⁾

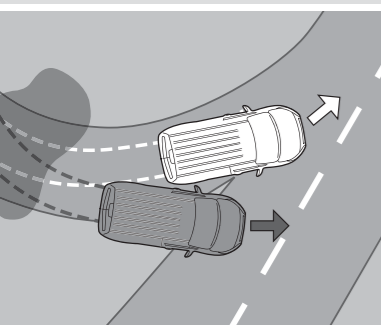
When it detects trailer sway, the system is designed to reduce engine torque and apply the brakes to the appropriate wheel(s) to help maintain control. (Standard, but activated with optional Ford trailer tow attachment. Not available on ECONetic series.)

⁰¹⁾Uses sensors.
⁰²⁾Safety feature.
⁰³⁾Driver assistance feature.
⁰⁴⁾Designed to operate at speeds above 6mph.



Electronic Stability Control (ESC)⁰¹⁾

ESC⁰¹⁾ is designed to help you maintain control in extreme driving conditions. It senses when you are deviating from your chosen line and aims to keep you on track by automatically regulating braking and engine output. (Standard)



Parking distance sensors, front and rear²⁾

With the Ford Transit Connect, you won't have to pass by those more challenging parking spaces. An audible warning helps you judge the distance between your vehicle and obstacles at the front and rear, for easier parking and manoeuvring. (Option, not available on Commercial Kombi or DCIV Base). Rear parking sensors are standard on Limited series.



Rear-view camera

Select reverse gear and the view from the rear-view camera is displayed automatically in the internal mirror, or in the SYNC 3 screen (where fitted). Marker lines overlaid on the camera image indicate where the vehicle is heading and help when reversing into a parking space or hitching up a trailer. (Option)



The board meeting

Ford Transit Connect comes with a wealth of useful features to help make your life a little easier and delivers the most connected and enjoyable driving experience.

Vehicle shown is a Ford Transit Connect Trend (L2) with Charcoal Black interior and Ford SYNC 3 audio system. (Option)



Ford SYNC 3 with Voice Control and 6" Touchscreen

New Ford SYNC 3 gives you control of everything, from music to phone calls, apps and text messaging through simple voice commands. From the main menu you can say "Dial" to enter a phone number, or "Text messages" to listen to, or reply to a message (Android only).*

The intuitive 6" colour touchscreen lets you configure your home screen just how you want it, while Applink, Apple CarPlay and Android Auto, allow you to bring your smartphone HMI into your vehicle. Live Traffic** is available through the FordPass app connecting seamlessly via SYNC 3 with navigation*. Live Traffic gives you up-to-the-minute traffic data, enabling you to avoid congestion and save you time.

(SYNC 3 is an option)

*Ford SYNC 3 navigation is optional.

**Live Traffic access is free for the first 2 years following the registration of a new Ford featuring SYNC 3 with navigation; thereafter there is an annual licence fee. Mobile data charges may apply.

Please note: Full SYNC 3 smartphone integration only available with iPhone 5/Android 5.0 (Lollipop) or higher. Some SYNC 3 functions require a data connection, so mobile data charges will apply. To check whether Apple CarPlay and Android Auto are available in your market, please check official Apple CarPlay and Android Auto websites for the latest information.

†Driver assistance feature.

* SYNC is designed to compliment the in-car experience. You must always drive with due care and consideration.



Dual-zone Electronic Automatic Temperature Control (DEATC) air conditioning

Can be adjusted separately for the driver and front passenger, with up to 4°C variation from side to side. (Option on Trend and Limited Van)



Centre console with stowage bin including power point and USB socket

Open centre console with a 12-volt power socket, USB connectivity with charging, two cup-holders and storage areas designed to accommodate an A4 folder. (Option, standard on Trend and Limited. Not available on DC1V or Kombi)



Cruise control with Adjustable Speed Limiter

Makes even the longest drive a relaxed affair. Simply set your desired speed and the system will maintain the pace until it's deactivated via a button on the steering wheel or by pressing the clutch or brake pedal. **Adjustable Speed Limiter**† lets you set a maximum speed anywhere between 15mph and 70mph, and prevents you from inadvertently accelerating above your desired speed. (Option, standard on Limited)

The business plan

Ford ECONetic Technology combined with efficient aerodynamics has resulted in outstanding fuel economy across the range. Experience exemplary performance that is surprisingly cost-effective.



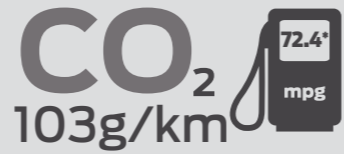
Ford ECONetic Technology

- Ford Duratorq TDCi advanced diesel engines – provide exceptional fuel economy and low CO₂ emissions
- Ford Auto-Start-Stop
- Ford Smart Regenerative Charging
- Gear Shift Indicator
- Ford Battery Management System – improves battery life, fuel consumption and ensures ready-to-go reliability
- 70mph switchable Speed Limiter
- Eco Mode
- Acceleration control

Vehicle shown is a Ford Transit Connect Trend (L2) in Metallic metallic body colour (option) with alloy wheels (option) and dual side load doors (option).



Generous service intervals of up to 20,000 miles (or 1 year) further reduce your running costs.



*Combined fuel consumption and CO₂ emissions for L1 van with 1.5 Duratorq TDCi 100 PS, Auto-Start-Stop and 62 mph Speed Limiter.



Acceleration Control

A unique engine calibration designed to limit acceleration and help reduce fuel consumption when the vehicle is lightly laden. (Standard on ECONetic)

Auto-Start-Stop

The latest Ford test figures show that Auto-Start-Stop can significantly reduce fuel consumption and CO₂ emissions with frequent stops in heavy traffic, and mixed driving conditions. (Standard on ECONetic model, petrol, all Powershift transmissions and 120PS manual. Option on diesel depending on model selected)



Transit Connect Van L1

The L1 van is capable of carrying two Europallets and 3-metre long items (when using the load-through bulkhead and dual passenger seat). The driver orientated cab provides high levels of stowage and functionality.

2.9
cu.m



8'x4' bulkhead

The L2 Van model is capable of carrying up to four 8'x4' sheets of material against a specifically designed bulkhead, using pre-defined indentations to drill through and attach straps to support the sheets. Straps can be attached to the bulkhead and rear floor of loadspace.

Transit Connect Van L2

The L2 van can accommodate 3.4-metre long items (when using the load-through bulkhead and dual passenger seat) and has room for up to four 8'x4' boards behind the bulkhead.

3.6
cu.m



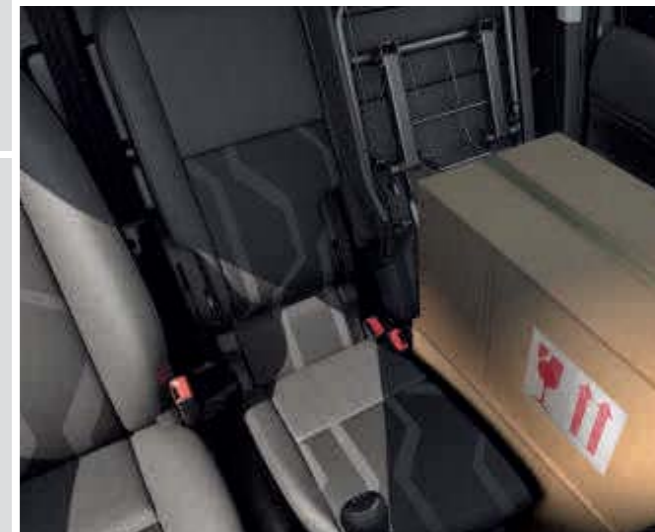
Transit Connect Double Cab-in-Van L1 5 Seat

Double Cab-in-Van offers a high level of flexibility between loadspace and passenger accommodation. The clever second row seats are split 60/40. The seat backs fold flat and the whole seat tumbles forward or can be removed completely to allow maximum use of the cargo space. An ingenious movable bulkhead keeps your passengers safe from your load.

1.2
cu.m*



Fitment of DCIV glazed second row option may affect taxation class. Consult a tax advisor or local tax office.



Flexible dual passenger seat

The centre seat folds down to provide a writing surface and flips up to reveal a storage box. The outer seat base folds backwards (cinema style) to allow tall loads to be carried in the front passenger space, or drops down under the fold-down seatback to give access to the load-through hatch. (Standard on Trend and Limited Van. N/A on DCIV and Kombi)

Transit Connect Double Cab-in-Van L2 5 Seat

The Double Cab-in-Van L2 offers the same flexibility as the L1, but with even more loadspace, either with the 2nd row seats in place or folded down into the footwell.

1.6
cu.m*



Fitment of DCIV glazed second row option may affect taxation class. Consult a tax advisor or local tax office.



Movable bulkhead

Separates loadspace and passenger space, with a choice of configurations to suit carrying passengers or maximising load area. (Standard on DCIV)

Transit Connect L2 Kombi M1 7 Seat

On 7-seat L2 models the adjustable third row seats are split 50/50 and also fold flat – they even have a recline feature. An integral cover protects the seats when folded and also covers the back of the second row seats.

2.6
cu.m**



Model shown is an L2 Kombi M1.
*DCIV loadcube shown with 2nd row bulkhead fitted.
**Commercial Kombi loadcube shown with 2nd row seats up.



Ford Easy-Fuel capless refuelling system.



Base

L1 Van · L2 Van · L1 DCiV · L2 DCiV · L2 Kombi M1

Image above Ford Transit Connect Base in Magnetic metallic body colour (option).

Exterior features

- 16" steel wheels
- Door mirrors with blind spot eliminator
- Kerbside load door (std on van)
- Rear fog lights
- High-mounted rear brake light
- Full size spare wheel (Van only; exc ECONetic and 1.0 Petrol)
- Remote central double locking
- Easy-Fuel capless refuelling system

Interior features

- Electrically-operated front windows with one-shot down on driver's side
- DAB radio with USB and Bluetooth®, four speakers
- Trip computer
- Rake- and reach-adjustable steering wheel with radio controls
- Dual cup holders
- Instrument panel stowage box with 12-volt socket
- DIN compliant cargo tie down hooks & side mounting points
- ISO/DIN compliant full steel bulkhead standard on van; movable mesh bulkhead is standard on DCiV
- Overhead stowage
- Load box light
- Immobiliser

Key Options:

- Dual passenger seat with load through bulkhead
- Quickclear heated windscreen
- Manual air conditioning

Engines

- 1.0 Ford EcoBoost 100 PS (74 kW) – Van / L1 DCiV
- 1.5 Duratorq TDCi 75 PS (55 kW) – Van/DCiV
- 1.5 Duratorq TDCi 100 PS (74 kW) – Van/DCiV/L2 Kombi M1
- 1.5 Duratorq TDCi ECONetic 100 PS (74 kW) – Van
- 1.5 Duratorq TDCi 120 PS (88 kW) – Van/DCiV





Power heated door mirrors.



Trend

L1 Van · L2 Van · L1 DCiV · L2 DCiV

Image above Ford Transit Connect Trend in Race Red solid body colour.

Exterior features in addition to Base

- 16" steel wheels with full wheel covers
- Body colour front bumper
- Front fog lights
- Electrically-operated and heated door mirrors
- Quickclear heated windscreen and washer jets

Interior features in addition to Base

- DAB radio/CD system with 3.5" screen, Ford SYNC with Emergency Assistance, Bluetooth® with Voice Control and four speakers
- Front dome light with two map lights
- Flexible dual passenger seat standard on van; single passenger seat standard on DCiV
- Load-through bulkhead standard on van; movable mesh bulkhead standard on DCiV
- 8-way adjustable driver's seat including lumbar support
- Plastic cargo floor liner (van)

Key Options:

- Single front passenger seat pack and full steel bulkhead (van)
- Manual air conditioning

Engines

- 1.0 Ford EcoBoost 100 PS (74 kW) – Van / L1 DCiV
- 1.5 Duratorq TDCi 75 PS (55 kW) – Van/DCiV
- 1.5 Duratorq TDCi 100 PS (74 kW) – Van/DCiV
- 1.5 Duratorq TDCi 120 PS (88 kW) – Van/DCiV





16" 5-spoke alloy wheel.



Limited

L1 Van · L2 Van

Image above Ford Transit Connect Limited in Metallic metallic body colour (option).

Exterior features in addition to Trend

- 16" 5-spoke alloy wheels
- Body colour bodyside mouldings, door handles and door mirrors
- Static cornering lights
- Automatic headlights and rain-sensing wipers
- Rear parking distance sensors
- Thatcham Cat 1 alarm
- 2nd remote key
- Chrome headlight bezel
- Chrome strip in the upper front grille

Interior features in addition to Trend

- Manual air conditioning
- Cruise control with Adjustable Speed Limiter
- Heated driver's seat
- Door handles with chrome finish
- 4-spoke leather-trimmed steering wheel
- Electrically-operated front windows with one-shot up and down

Key Options:

- Dual automatic temperature control
- Satellite Navigation with SYNC 3

Engines

1.5 Duratorq TDCI 120 PS (88 kW) – Van



Base roof carriers, lockable

A roof carrier is the base for various roof transportation attachments. Roof carrier can be extended with a fourth bar for L2 models. (Accessory)

Thule® professional roof attachments

Provides maximum flexibility to suit any transportation need with modular attachments, such as (sliding) ladder holder, conduit case, load stops, roller, eye bolt and ratchet tie-down. (Accessories)



ClimAir® wind deflectors*

Reduces turbulence and noise for a more enjoyable drive with the windows down, even during light rain and whilst on the move. (Accessory)

Xvision+ parking distance sensors

An audible warning helps you to judge parking distances. (Accessory)

Rear ladder

For easy access to the roof. (Option and accessory, with Cargo Doors only)

*Item covered by third party supplier's warranty, please see back cover for details.
For more accessories for your Transit Connect visit www.ford-accessories.co.uk
For a range of Ford branded items – from clothing to lifestyle products – visit www.fordlifestylecollection.com

Enhanced versatility

Storage solutions, extra protection and greater versatility are all available for the Transit Connect.



Rear window protection grille

Grille fixes to inside of rear windows for enhanced security without obscuring rearward vision. (Option and accessory)



Mud flaps

Contoured mud flaps help to keep your Ford Transit Connect clean by reducing road spray and stone chips. Available as sets for front and rear. (Option and accessory)



Q-Top® (Q-Tech) roof gallery*

Lightweight aluminium construction allows additional load*. Ideal for transportation of large, long or bulky items. Also available with a ladder roller at the rear end for easier loading. (Accessory)



Tow bar, fixed or detachable

Subjected to rigorous testing to ensure the highest safety standards. Towing capacity is up to 1,300 kg*. (Option and accessory)

*Towing and load capacity depends on engine and vehicle series, please refer to vehicle weight and load specifications.



Osram® LED daytime running lights and fog lights*

Whatever the light conditions, the combined fog light with daytime running light functionality and energy efficient LED technology help ensure you get noticed by other road users and pedestrians. (Accessory)



Rubber floor mats

The rubberised tray-style all-weather floor mats are tailor-made to fit perfectly and protect against dirt and damp. Securely fixed directly onto the vehicle's floor, the front mats cannot slip. (Accessory)

Get the most from your new Ford

We want to help you get the most from your new Ford. And to do that, you need to know how much it is designed to safely carry, both in terms of payload and load volume. Your Ford Transit Centre can provide professional advice on important specification aspects, and help to find the right van for your budget and business needs.

The Ford Transit Connect is designed to carry cargo – and lots of it.

Choosing a new van is an important decision with lots of factors to be considered. While some aspects, like selecting the most appropriate derivative, identifying the intended primary use and determining loadspace compartment size are relatively simple, others, such as calculating payload are more complex.

Payload capacity

To calculate payload, you need to know two things: the vehicle's gross vehicle mass (GVM) and its kerb mass.

Gross Vehicle Mass (GVM)

GVM is the maximum permissible weight of the vehicle when loaded and ready to go – that includes the weight of the vehicle itself, ancillaries, driver and crew (assuming the industry standard weight of 75 kg/person), fluids, fuel tank 90% full (1 litre of diesel = approximately 0.85 kg), optional and aftermarket equipment, and cargo.

Kerb Mass

Kerb mass is the weight of a standard-specification Base series vehicle, including fluids and fuel tank 90% full, but without the driver, crew or cargo. If you intend to load the vehicle close to its maximum capacity, it is recommended that you add a margin for error of 5% of the kerb mass to the kerb mass figure before calculating payload, to reduce the risk of overloading.

Payload is the difference between the two.

Gross vehicle mass minus kerb mass = payload

So to help you choose the right vehicle for your needs, here are some more detailed explanations about the factors that can influence a vehicle's payload. These include, but are not limited to:

If payload is critical to your business, or if you plan to carry cargo at, or close to, the vehicle's maximum capacity, your Ford Transit Centre can help. Using their specialist expertise and knowledge, they can advise you on the exact specification of vehicle required to meet your individual business needs.

Configure your van to suit your job

Ford Commercial Vehicles are available with a wide range of standard and optional features. Your Ford Transit Centre can help you ensure that you specify the right vehicle features for your specific business needs, including technical items to aid aftermarket fitment of specialist equipment or conversion.

Weights and loads

The fuel economy figures quoted in the table below are achieved by following strict EU governed test procedures and are specifically designed to enable customers to compare vehicles from all manufacturers on a like-for-like basis. Fuel consumption is directly affected by the length of the journey; number of passengers and amount of luggage carried; individual driving style; road and traffic conditions; weather conditions; vehicle age, mileage, condition and standard of maintenance; use of vehicle features such as air conditioning; and any modifications to the vehicle such as the addition of a roof rack. Your fuel economy will vary based on these and other factors and, for these reasons, many drivers may not achieve the EU fuel economy figures (below) in day-to-day driving, although the vehicle is technically capable of doing so.

	Fuel	Transmission	Gross payload (kg) ^a	Gross vehicle mass (kg)	Kerb mass (kg) ^b	Front axle plated mass (kg)	Front axle kerb mass (kg)	Rear axle plated mass (kg)	Rear axle kerb mass (kg)	Axle ratio	Max. GTM (kg)	Trailer Plate (kg) braked (unbraked)	CO ₂ emissions	Urban	Extra urban	Combined	Fuel consumption in mpg (L/100Km) ⁹⁰
200 L1 Transit Connect																	
1.0 Ford EcoBoost 100 PS (74 kW) (with Auto-Start-Stop)	Petrol	6-speed manual	595	1960	1365	1125	803	1050	562	4.27	2880	1200 (705)	129	44.1 (6.4)	55.4 (5.1)	50.4 (5.6)	
1.5 TDCi 75 PS (55 kW) (without Auto-Start-Stop)	Diesel	5-speed manual	598	2005	1407	1125	821	1050	586	3.56	2905	1200 (725)	120	52.3 (4.5)	65.7 (4.1)	61.4 (4.6)	
1.5 TDCi 75 PS (55 kW) (with Auto-Start-Stop)	Diesel	5-speed manual	588	2005	1417	1125	826	1050	591	3.56	2905	1200 (725)	111	62.8 (4.5)	68.9 (4.1)	65.7 (4.3)	
1.5 TDCi 100 PS (74 kW) (without Auto-Start-Stop)	Diesel	5-speed manual	598	2005	1407	1125	821	1050	586	3.56	3155	1300 (725)	124	52.3 (5.4)	64.2 (4.4)	58.9 (4.8)	
1.5 TDCi 100 PS (74 kW) (with Auto-Start-Stop)	Diesel	5-speed manual	588	2005	1417	1125	826	1050	591	3.56	3155	1300 (725)	115	60.1 (4.7)	65.7 (4.3)	64.2 (4.4)	
1.5 TDCi 120 PS (88 kW) (with Auto-Start-Stop)	Diesel	6-speed manual	602	2005	1403	1125	819	1060	584	3.61	2925	1200 (725)	119	57.7 (4.9)	64.2 (4.4)	61.4 (4.6)	
1.5 TDCi 120 PS (88 kW) (with Auto-Start-Stop)	Diesel	6-speed automatic	615	2040	1425	1125	847	1050	578	4.53	2940	1200 (735)	129	52.3 (5.4)	60.1 (4.7)	56.5 (5.0)	

Weights and loads

	Fuel	Transmission	Gross payload (kg) ^a	Gross vehicle mass (kg)	Kerb mass (kg) ^b	Front axle plated mass (kg)	Front axle kerb mass (kg)	Rear axle plated mass (kg)	Rear axle kerb mass (kg)	Axle ratio	Max. GTM (kg)	Trailer Plate (kg) braked (unbraked)	CO ₂ emissions	Urban	Extra urban	Combined	Fuel consumption in mpg (L/100Km) ⁹⁰
200 L1 Transit Connect Econetic																	
1.5 TDCi ECONetic 100 PS (74 kW) (with Auto-Start-Stop)	Diesel	5-speed manual	625	2015	1390	1125	831	1050	560	3.41	n/a	n/a	109	62.8 (4.5)	70.6 (4.0)	67.3 (4.2)	
1.5 TDCi ECONetic 100 PS (74 kW) (with Auto-Start-Stop and 62 mph fixed speed limiter)	Diesel	5-speed manual	625	2015	1390	1125	831	1050	560	3.41	n/a	n/a	103	62.8 (4.5)	76.3 (3.7)	72.4 (3.9)	
220 L1 Transit Connect High Payload																	
1.5 TDCi 75 PS (55 kW) (without Auto-Start-Stop)	Diesel	5-speed manual	797	2215	1418	1125	826	1250	592	3.56	2915	1200 (730)	120	54.3 (5.2)	65.7 (4.3)	61.4 (4.6)	
1.5 TDCi 75 PS (55 kW) (with Auto-Start-Stop)	Diesel	5-speed manual	787	2215	1428	1125	831	1250	597	3.56	2915	1200 (730)	111	62.8 (4.5)	68.9 (4.1)	65.7 (4.3)	
1.5 TDCi 100 PS (74 kW) (without Auto-Start-Stop)	Diesel	5-speed manual	806	2215	1409	1125	818	1250	591	3.56	3165	1300 (725)	124	52.3 (5.4)	64.2 (4.4)	58.9 (4.8)	
1.5 TDCi 100 PS (74 kW) (with Auto-Start-Stop)	Diesel	5-speed manual	796	2215	1419	1125	823	1250	596	3.56	3165	1300 (725)	115	60.1 (4.7)	65.7 (4.3)	64.2 (4.4)	
1.5 TDCi 100 PS (74 kW) (with Auto-Start-Stop)	Diesel	6-speed automatic	780	2215	1435	1125	845	1250	590	4.53	3165	1300 (740)	129	52.3 (5.4)	60.1 (4.7)	56.5 (5.0)	
1.5 TDCi 120 PS (88 kW) (with Auto-Start-Stop)	Diesel	6-speed automatic	780	2215	1435	1125	845	1250	590	4.53	3165	1300 (740)	129	52.3 (5.4)	60.1 (4.7)	56.6 (5.0)	
220 L1 Transit Connect DCiV																	
1.0 Ford EcoBoost 100 PS (74 kW) (with Auto-Start-Stop)	Petrol	6-speed manual	699	2170	1471	1125	864	1250	607	4.27	3000	1200 (750)	132	42.8 (6.6)	54.3 (5.2)	48.7 (5.8)	
1.5 TDCi 75 PS (55 kW) (without Auto-Start-Stop)	Diesel	5-speed manual	725	2230	1505	1125	884	1250	621	3.56	2930	1198 (750)	124	52.3 (5.4)	64.2 (4.4)	58.9 (4.8)	
1.5 TDCi 75 PS (55 kW) (with Auto-Start-Stop)	Diesel	5-speed manual	715	2230	1515	1125	889	1250	626	3.56	2930	1198 (750)	115	60.1 (4.7)	65.7 (4.3)	64.2 (4.4)	
1.5 TDCi 100 PS (74 kW) (without Auto-Start-Stop)	Diesel	5-speed manual	722	2220	1498	1125	880	1250	618	3.56	3180	1300 (750)	124	52.3 (5.4)	64.2 (4.4)	58.9 (4.8)	
1.5 TDCi 100 PS (74 kW) (with Auto-Start-Stop)	Diesel	5-speed manual	712	2220	1508	1125	885	1250	623	3.56	3180	1300 (750)	115	60.1 (4.7)	65.7 (4.3)	64.2 (4.4)	
1.5 TDCi 100 PS (74 kW) (with Auto-Start-Stop)	Diesel	6-speed automatic	696	2220	1524	1125	895	1250	629	4.53	3165	1300 (750)	133	50.4 (5.6)	58.9 (4.8)	55.4 (5.1)	
1.5 TDCi 120 PS (88 kW) (with Auto-Start-Stop)	Diesel	6-speed automatic	696	2220	1524	1125	895	1250	629	4.53	3000	1200 (750)	133	50.4 (5.6)	58.9 (4.8)	55.4 (5.1)	
210 L2 Transit Connect																	
1.0 Ford EcoBoost 100 PS (74 kw) (with Auto-Start-Stop)	Petrol	6-speed manual	690	2085	1395	1175	811	1125	584	4.27	2920	1200 (720)	129	44.1 (6.4)	55.4 (5.1)	50.4 (5.6)	
1.5 TDCi 75 PS (55 kW) (without Auto-Start-Stop)	Diesel	5-speed manual	689	2125	1436	1175	856	1125	580	3.56	2925	1200 (740)	124	52.3 (5.4)	64.2 (4.4)	58.9 (4.8)	
1.5 TDCi 75 PS (55 kW) (with Auto-Start-Stop)	Diesel	5-speed manual	679	2125	1446	1175	861	1125	585	3.56	2925	1200 (740)	115	60.1 (4.7)	65.7 (4.3)	64.2 (4.4)	
1.5 TDCi 100 PS (74 kW) (without Auto-Start-Stop)	Diesel	5-speed manual	696	2125	1429	1175	849	1125	580	3.56	3175	1300 (735)	124	52.3 (5.4)	64.2 (4.4)	58.9 (4.8)	
1.5 TDCi 100 PS (74 kW) (with Auto-Start-Stop)	Diesel	5-speed manual	686	2125	1439	1175	854	1125	585	3.56	3175	1300 (735)	115	60.1 (4.7)	65.7 (4.3)	64.2 (4.4)	
1.5 TDCi 120 PS (88 kW) (with Auto-Start-Stop)	Diesel	6-speed manual	702	2135	1433	1175	855	1125	578	3.61	2955	1200 (740)	119	57.7 (4.9)	64.2 (4.4)	61.4 (4.6)	
1.5 TDCi 120 PS (88 kW) (with Auto-Start-Stop)	Diesel	6-speed automatic	670	2125	1455	1175	876	1125	579	4.53	3165	1300 (750)	129	52.3 (5.4)	60.1 (4.7)	56.5 (5.0)	
210 L2 Transit Connect ECONetic																	
1.5 TDCi ECONetic 100PS (74kW) (with Auto-Start-Stop)	Diesel	5-speed manual	701	2125	1424	1175	869	1125	555	3.41	n/a	n/a	113	61.4 (4.6)	67.3 (4.2)	64.2 (4.4)	
1.5 TDCi ECONetic 100PS (74kW) (with Auto-Start-Stop and 62 mph fixed speed limiter)	Diesel	5-speed manual	701	2125	1424	1175	869	1125	555	3.41	n/a	n/a	107	61.4 (4.6)	72.4 (3.9)	68.9 (4.1)	
240 L2 Transit Connect High Payload																	
1.5 TDCi 100 PS (74 kW) (without Auto-Start-Stop)	Diesel	5-speed manual	961	2395	1434	1225	854	1355	580	3.56	3195	1200 (730)	124	52.3 (5.4)	64.2 (4.4)	58.9 (4.8)	
1.5 TDCi 100 PS (74 kW) (with Auto-Start-Stop)	Diesel	5-speed manual	951	2395	1444	1225	859	1355	585	3.56	3195	1200 (730)	115	60.1 (4.7)	65.7 (4.3)	64.2 (4.4)	

L1 = Short wheelbase, **L2** = Long wheelbase. **Note:** All engines include Diesel Particulate Filter (cDPF). **Kerb mass** = The weight of the complete vehicle and all equipment including 90% fuel and water, but without the payload, driver or any passengers. **GVM** = Gross vehicle mass. The total permissible all-up weight of a vehicle – i.e. with body, payload, ancillaries, fuel, oil, water, driver and passengers. **GTM** = Gross train mass. The total permissible all-up weight of a vehicle (see GVM) together with its trailer and load. **Gross Payload** = Gross vehicle mass, less kerb mass. All kerb masses quoted in this brochure are subject to manufacturing tolerances and are for Base models with minimum equipment. Trend and Limited models will have greater kerb masses and therefore lower payloads, due to the increased amount of standard equipment. Any additional options specified on the vehicle will reduce the payload accordingly. For Customers who intend loading a vehicle close to Maximum payload, we suggest you also add a margin for error (5%) of GVM to Kerb mass figure before calculation, to reduce the risk of overloading. It is the responsibility of drivers to ensure their vehicles are legally compliant for road use. ****Max Trailer weight** will need to be reduced if maximum payload is achieved so as not to exceed maximum GTM. ⁹⁰ The declared fuel consumptions and CO₂ emissions for Stage 6 Light Duty Truck engines are measured according to the technical requirements and specifications of European Regulation (EC) 715/2007 and (EC) 692/2008 as last amended. Fuel consumption and CO₂ emissions are specified for a vehicle variant and not for a single car. The applied standard test procedure enables a comparison between different vehicle types; the specification and options selected may have an effect i.e. on vehicle weight and therefore on the emissions and fuel economy of the vehicle and also may influence the figures that appear in the individual vehicle documentation. This information is not part of any product offer made. Real world fuel consumption can vary as the fuel efficiency of a vehicle is influenced by (individual) vehicle configurations, driving behaviour, use of technical equipment such as air conditioning, as well as other non-technical factors. CO₂ is the main greenhouse gas responsible for global warming. A guide on fuel economy and CO₂ emissions which contains data for all new passenger car models is available at any point of sale free of charge or can be downloaded under <http://carfueldata.dft.gov.uk/>.

Weights and loads

26

	Fuel	Transmission	Gross payload (kg) ^o	Gross vehicle mass (kg)	Kerb mass (kg) [*]	Front axle plated mass (kg)	Front axle kerb mass (kg)	Rear axle plated mass (kg)	Rear axle kerb mass (kg)	Axle ratio	Max. GTM (kg)	**Trailer Plate (kg) braked (unbraked)	CO ₂ emissions	Urban	Extra urban	Combined
1.5 TDCi 100 PS (74 kW) (with Auto-Start-Stop)	Diesel	6-speed automatic	934	2395	1461	1225	881	1355	580	4.53	3165	1300 (740)	129	52.3 (5.4)	60.1 (4.7)	56.5 (5.0)
1.5 TDCi 120 PS (88 kW) (with Auto-Start-Stop)	Diesel	6-speed manual	967	2405	1438	1225	864	1355	574	3.61	2960	1200 (730)	119	57.7 (4.9)	64.2 (4.4)	61.4 (4.6)
1.5 TDCi 120 PS (88 kW) (with Auto-Start-Stop)	Diesel	6-speed automatic	853	2335	1482	1225	887	1300	595	4.53	2985	1200 (750)	129	52.3 (5.4)	60.1 (4.7)	56.5 (5.0)
230 L2 Transit Connect DCiV																
1.5 TDCi 100 PS (74 kW) (without Auto-Start-Stop)	Diesel	5-speed manual	719	2270	1551	1125	911	1250	640	3.56	3180	1300 (750)	128	51.4 (5.5)	61.4 (4.6)	57.7 (4.9)
1.5 TDCi 100 PS (74 kW) (with Auto-Start-Stop)	Diesel	5-speed manual	709	2270	1561	1125	916	1250	645	3.56	3180	1300 (750)	119	57.7 (4.9)	64.2 (4.4)	61.4 (4.6)
1.5 TDCi 100 PS (74 kW) (with Auto-Start-Stop)	Diesel	6-speed automatic	692	2270	1578	1125	920	1250	658	4.53	3165	1200 (750)	133	50.4 (5.6)	58.9 (4.8)	55.4 (5.1)
1.5 TDCi 120 PS (88 kW) (with Auto-Start-Stop)	Diesel	6-speed manual	715	2270	1555	1175	914	1275	641	3.61	3050	1200 (750)	125	53.3 (5.3)	62.8 (4.5)	58.9 (4.8)
1.5 TDCi 120 PS (88 kW) (with Auto-Start-Stop)	Diesel	6-speed automatic	692	2270	1578	1175	927	1275	651	4.53	3050	1200 (750)	133	50.4 (5.6)	58.9 (4.8)	55.4 (5.1)
230 L2 Transit Connect Kombi 7-Seater																
1.5 TDCi 100 PS (74 kW) (without Auto-Start-Stop)	Diesel	5-speed manual	758	2270	1512	1175	856	1275	656	3.56	3160	1054 (750)	124	52.3 (5.4)	64.2 (4.4)	58.9 (4.8)
1.5 TDCi 100 PS (74 kW) (with Auto-Start-Stop)	Diesel	5-speed manual	748	2270	1522	1175	861	1275	661	3.56	3160	1054 (750)	115	60.1 (4.7)	65.7 (4.3)	64.2 (4.4)

L1 = Short wheelbase, **L2** = Long wheelbase. **Note:** All engines include Diesel Particulate Filter (DPF). **Kerb mass** = The weight of the complete vehicle and all equipment including 90% fuel and water, but without the payload, driver or any passengers. **GVM** = Gross vehicle mass. The total permissible all-up weight of a vehicle – i.e. with body, payload, ancillaries, fuel, oil, water, driver and passengers. **GTM** = Gross train mass. The total permissible all-up weight of a vehicle (see GVM) together with its trailer and load. **Gross Payload** = Gross vehicle mass, less kerb mass. All kerb masses quoted in this brochure are subject to manufacturing tolerances and are for Base models with minimum equipment. Trend and Limited models will have greater kerb masses and therefore lower payloads, due to the increased amount of standard equipment. Any additional options specified on the vehicle will reduce the payload accordingly. For Customers who intend loading a vehicle close to Maximum payload, we suggest you also add a margin for error (5%) of GVM to Kerb mass figure before calculation, to reduce the risk of overloading. It is the responsibility of drivers to ensure their vehicles are legally compliant for road use. ****Max Trailer weight** will need to be reduced if maximum payload is achieved so as not to exceed maximum GTM. ^{oo} The declared fuel consumptions and CO₂ emissions for Stage 6 Light Duty Truck engines are measured according to the technical requirements and specifications of European Regulation (EC) 715/2007 and (EC) 692/2008 as last amended. Fuel consumption and CO₂ emissions are specified for a vehicle variant and not for a single car. The applied standard test procedure enables a comparison between different vehicle types; the specification and options selected may have an effect i.e. on vehicle weight and therefore on the emissions and fuel economy of the vehicle and also may influence the figures that appear in the individual vehicle documentation. This information is not part of any product offer made. Real world fuel consumption can vary as the fuel efficiency of a vehicle is influenced by (individual) vehicle configurations, driving behaviour, use of technical equipment such as air conditioning, as well as other non-technical factors. CO₂ is the main greenhouse gas responsible for global warming. A guide on fuel economy and CO₂ emissions which contains data for all new passenger car models is available at any point of sale free of charge or can be downloaded under <http://carfueldata.dft.gov.uk/>.

Dimensions

	Van L1	Van L2	DCiV L1	DCiV L2	Kombi M1 7 Seater L2
Transit Connect					
A Overall length	4418	4818	4418	4818	4818
B Overall width without mirrors	1835	1835	1835	1835	1835
B Overall width with mirrors	2137	2137	2137	2137	2137
C Overall height (unladen)	1861	1861	1836	1839	1840
D Front overhang	878	878	878	878	878
E Wheelbase	2662	3062	2662	3062	3062
F Rear overhang	878	878	878	878	878
G Side door entry width	-	-	612	839	839
G Side door entry width (Van with bulkhead)	433	660	-	-	-
H Rear door opening width below belt	1248	1248	1248	1248	1193
H Rear door opening width max	-	-	-	-	1193
I Loadspace width between wheel arches	1226	1226	1226	1226	1149
J Rear door opening height	1136	1136	1136	1136	1146
K Loadspace width at floor	1538	1538	1268	1268	1477
L Side door opening height	1228	1228	1228	1228	1141
M Loadspace floor to roof	1269	1269	1237	1237	1066
N Loadspace length (max to bulkhead)	1753	2153	845	1072	-
O₁ Loadspace length (with bulkhead, laden to belt line)	1558	1958	-	-	-
O₂ Loadspace length (at floor)	-	-	845	1072	n/a
O₃ Loadspace length (back of front seat, at floor)	1831	2231	1828	2179	2179
O₃ Loadspace length (max with load through bulkhead)	3000	3400	-	-	-
Turning circle					
Kerb to kerb (m)	11.3	12.2	11.3	12.2	12.2
Wall to wall (m)	11.7	12.5	11.7	12.5	12.5
Additional information Interior – Front					
Effective headroom	1190	1190	1190	1190	1190
Maximum effective leg room	1048	1048	1048	1048	1083
Shoulder room	1464	1464	1464	1464	1464
Hip room	1376	1376	1376	1376	1376

L1 = Short wheelbase, **L2** = Long wheelbase. All dimensions (shown in mm) are subject to manufacturing tolerances and refer to minimum specification models and do not include additional equipment. These illustrations are for guidance only. Dimensions may vary dependent on the model and equipment fitted.

27



Two Europallet loadspace

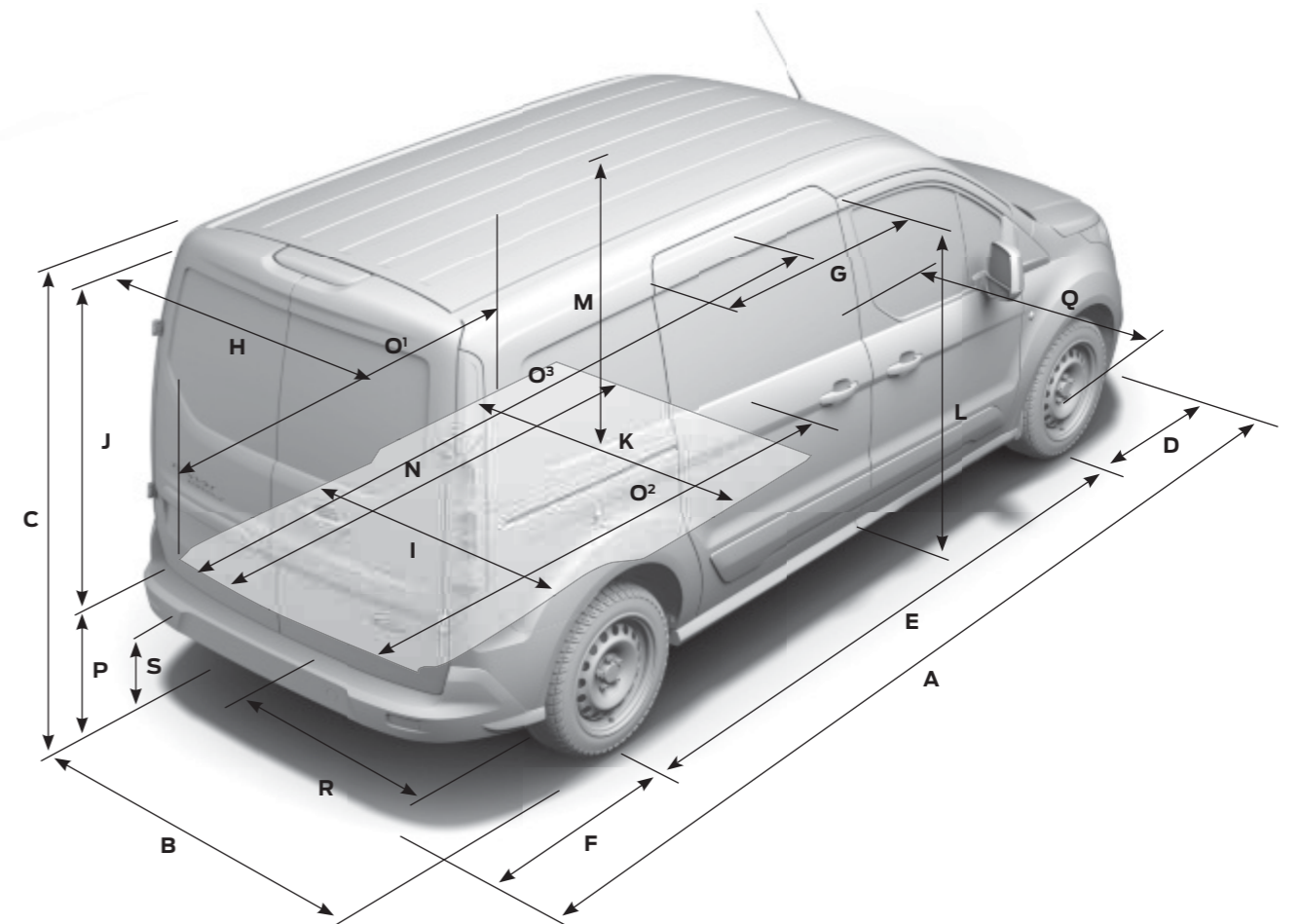
There's room for two Europallets in both the L1 and L2 van behind an ISO/DIN compliant bulkhead (restricted loading of front pallet in L1).

Sliding side load door with extra wide aperture on L2

(Standard)

3m/3.4m load length with load-through bulkhead

The short wheelbase van can carry 3-metre long items, thanks to the flexible loadthrough bulkhead, whilst the L2 van is capable of taking 3.4-metre long items. (load-through bulkhead standard on Trend and Limited, option on Base. Not available on Commercial Kombi or DCiV)



Ford EcoBoost petrol engine

Ford EcoBoost technology gives you the power of a big engine with the fuel economy and emissions of a small one. The latest ultra-efficient 3 cylinder 1.0-litre Ford EcoBoost engine produces an impressive 100 PS, yet it delivers a combined fuel consumption of 50.4 mpg and CO₂ emissions of only 129 g/km.



Sub 1-litre
Ford 1.0 litre EcoBoost



Engine data

	Transmission	Engine technical features	Maximum power ⁶	Maximum torque ⁶
1.0 Ford EcoBoost Stage VI	6-speed manual	3 cylinders in line, DOHC, 12 valves, alloy cylinder head, direct injection with high-pressure, common rail fuel injection system, turbocharger with intercooler	100 PS (74 kW)	170 Nm (1400-4000)
1.5 TDCi Diesel Stage VI	5-speed manual	4 cylinders in line, SOHC, 8 valves, aluminium cylinder block with open deck, direct injection via solenoid injectors, common rail 3rd generation fuel injection system, fixed geometry turbocharger with intercooler	75 PS (55 kW)	220 Nm (1750-2000)
1.5 TDCi Diesel Stage VI	5-speed manual	4 cylinders in line, SOHC, 8 valves, aluminium cylinder block with open deck, direct injection via solenoid injectors, common rail 3rd generation fuel injection system, fixed geometry turbocharger with intercooler	100 PS (74 kW)	250 Nm (2000-2500)
1.5 TDCi Diesel Stage VI	6-speed automatic	4 cylinders in line, SOHC, 8 valves, aluminium cylinder block with open deck, direct injection via solenoid injectors, common rail 3rd generation fuel injection system, fixed geometry turbocharger with intercooler	100 PS (74 kW)	270 Nm (1750-2000)
1.5 TDCi Diesel Stage VI	6-speed manual	4 cylinders in line, SOHC, 8 valves, aluminium cylinder block with open deck, direct injection via solenoid injectors, common rail 3rd generation fuel injection system, fixed geometry turbocharger with intercooler	120 PS (88 kW)	270 Nm (1750-2500)
1.5 TDCi Diesel Stage VI	6-speed automatic	4 cylinders in line, SOHC, 8 valves, aluminium cylinder block with open deck, direct injection via solenoid injectors, common rail 3rd generation fuel injection system, fixed geometry turbocharger with intercooler	120 PS (88 kW)	300 Nm (1750-2000)

⁶Tested in accordance with ISO 1585. ^{*}With transient overboost. **Note:** all diesel engines are fitted with a standard cDPF (coated Diesel Particulate Filter).

Model availability

	Transmission	L1					L2						
		Base	Base HP	ECONetic	Trend	Trend HP	Limited	Base	Base HP	ECONetic	Trend	Trend HP	Limited
Ford Transit Connect													
1.0 EcoBoost 100 PS (74 kW) Stage VI	6-speed manual	●	-	-	●	-	-	●	-	-	●	-	-
1.5 TDCi 75 PS (55 kW) Stage VI	5-speed manual	●	●	-	●	-	-	●	-	-	-	-	-
1.5 TDCi 100 PS (74 kW) Stage VI	5-speed manual	●	●	●	●	●	-	●	●	●	●	●	-
1.5 TDCi 100 PS (74 kW) Stage VI	6-speed automatic	-	●	-	-	-	-	●	-	-	-	-	-
1.5 TDCi 120 PS (88 kW) Stage VI	6-speed manual	-	-	-	●	-	●	●	-	-	●	-	●
1.5 TDCi 120 PS (88 kW) Stage VI	6-speed automatic	●	-	-	-	●	●	-	-	-	●	-	●
Ford Transit Connect Kombi M1													
1.5 TDCi 100 PS (74 kW) Stage VI	5-speed manual	-	-	-	-	-	-	●	-	-	-	-	-
Ford Transit Connect DCIV													
1.0 EcoBoost 100 PS (74 kW) Stage VI	6-speed manual	●	-	-	●	-	-	-	-	-	-	-	-
1.5 TDCi 75 PS (55 kW) Stage VI	5-speed manual	●	-	-	-	-	-	-	-	-	-	-	-
1.5 TDCi 100 PS (74 kW) Stage VI	5-speed manual	●	-	-	●	-	-	●	-	-	●	-	-
1.5 TDCi 100 PS (74 kW) Stage VI	6-speed automatic	●	-	-	-	-	-	●	-	-	-	-	-
1.5 TDCi 120 PS (88 kW) Stage VI	6-speed manual	-	-	-	-	-	-	-	-	-	●	-	-
1.5 TDCi 120 PS (88 kW) Stage VI	6-speed automatic	-	-	-	●	-	-	-	-	-	●	-	-

● = Standard. **Note** all diesel engines are fitted with a standard cDPF (catalysed Diesel Particulate Filter). **L1** = Short wheelbase, **L2** = Long wheelbase.

Ford Easy-Fuel capless refuelling system

A unique safeguard ensures nobody can accidentally fill up with the wrong fuel. Plus no dirty fuel caps to touch. (Standard)



Mechanical features

	L1			L2				
	Base	ECONetic	Trend	Limited	Base	ECONetic	Trend	Limited
Brakes								
Power 4-wheel disc	●	●	●	●	●	●	●	●
Fuel								
Ford Easy-Fuel System	●	●	●	●	●	●	●	●
Fuel tank – 60 litres, with Ford Easy-Fuel capless refuelling system	●	●	●	●	●	●	●	●
Steering								
Electronic Power Assisted Steering (EPAS)	●	●	●	●	●	●	●	●
Suspension and body								
Rear: Semi-independent twist-beam, with dampers and coil spring	●	●	●	●	●	●	●	●
Front: Independent MacPherson strut suspension, with stabilizer bar and coil spring	●	●	●	●	●	●	●	●
Engine								
Fuel Economy Pack – Includes Auto Start/Stop and Heavy Duty Battery (standard on 1.0 petrol, 100 PS / 120 PS Powershift autos and 120 PS manual. Option on 75 PS and 100 PS manual).	●/○	●	●/○	●	●/○	●	●/○	●
Starter Equipment (-25°C)	●	●	●	●	●	●	●	●

● = Standard. **L1** = Short wheelbase, **L2** = Long wheelbase.

Safety, security and driver assistance

	L1			L2				
	Base	ECONetic	Trend	Limited	Base	ECONetic	Trend	Limited
Safety and driver assistance								
Active City Stop ¹⁾ Must be ordered in conjunction with SYNC on Base series. Diesel only	○	-	○	○	○	-	○	○
Auto Start Stop ²⁾	□	●	□	●	□	●	□	●
Anti-lock braking system (ABS) with electronic brake-force distribution (EBD) and Electronic Stability Control (ESC) ¹⁾	●	●	●	●	●	●	●	●
Emergency Brake Warning (automatic flashing of brake lights under heavy braking) ¹⁾	●	●	●	●	●	●	●	●
Emergency Brake Assist (EBA) ¹⁾	●	●	●	●	●	●	●	●
Hill Start Assist ²⁾	●	●	●	●	●	●	●	●
Lane-Keeping Aid (Includes Blind Spot Information System (BLIS), Auto High Beam, Traffic Sign Recognition, rain-sensing wipers, Quickclear heated windscreen, cornering front fog lights, Driver Alert System and Active City Stop) ²⁾ Vehicles fitted with this option do not have a blind spot eliminator (larger wing mirror). Refer to page 9 for further details	-	-	○	○	-	-	○	○
Tyre Pressure Monitoring System ³⁾ (Standard on M1 Kombi)	○	○	○	○	○	○	○	○
Airbag – Driver's ¹⁾	●	●	●	●	●	●	●	●
Airbag – Front passenger's* with de-activation switch ¹⁾ (Standard on M1 Kombi)	○	○	○	○	○	○	○	○
Airbags – Driver's and passenger's side airbag (side, curtain and thorax)(Standard on M1 Kombi) ¹⁾	□	□	□	□	□	□	□	□
Trailer Sway Control (standard when a Ford towbar is fitted) ¹⁾	○	-	○	○	○	-	○	○
Cruise control with Adjustable Speed Limiter ²⁾ (includes leather steering wheel)	○	○	○	●	○	○	○	●
Acceleration control (available on vans with Diesel engines and manual transmission)	○	●	○	○	○	●	○	○
Speed Limiter – 56 mph	○	○	○	○	○	○	○	○
Speed Limiter – 62 mph	○	○	○	○	○	○	○	○
Speed Limiter – 70 mph	○	○	○	○	○	○	○	○
70 mph Switchable Speed Limiter	-	●	-	-	-	●	-	-
Security								
Configurable locking – Config 1 (n/a on Kombi or with Tailgate). 2 stage zone unlocking; Stage 1 driver side, Stage 2 remaining doors)	○	○	○	○	○	○	○	○
Configurable locking – Config 2 (n/a on Kombi or with Tailgate). 2 stage zone unlocking; Stage 1 passenger side, Stage 2 remaining doors)	○	○	○	○	○	○	○	○
Locking – Auto relocking, doors relock after 45 seconds if no door is opened	●	●	●	●	●	●	●	●
Power door deadlocks	●	●	●	●	●	●	●	●
1 remote key + 1 plain key	●	●	●	-	●	●	●	-
2 remote keys (no plain key included as part of this pack)	○	○	○	●	○	○	○	●
Fleet Key	○	○	-	-	○	○	-	-
MyKey ⁴⁾	○	○	○	○	○	○	○	○
Perimeter anti-theft alarm	○	○	○	-	○	○	○	-
Thatcham Category 1 Alarm	○	○	○	●	○	○	○	●
Security – PATS (Passive Anti-Theft System)	●	●	●	●	●	●	●	●

● = Standard, ○ = Option, at extra cost. □ = Part of optional pack, at extra cost. **L1** = Short wheelbase, **L2** = Long wheelbase. ¹⁾ Safety feature, ²⁾ Driver assistance. ^{*} Speed limiters are fixed and cannot be removed.

Note: A rear-facing child seat should never be placed in the front passenger seat when the Ford vehicle is equipped with an operational front passenger's airbag.



Driver Alert²⁾

Designed to warn you if the system detects driving behaviour that indicates a drop in alertness levels. Initially, a warning icon is displayed in the instrument cluster, followed by a warning chime if driving alertness further declines. (Option as part of a pack)

⁴⁾Uses sensors.

²⁾Driver assistance feature.

Exterior

	L1				L2			
	Base	ECONetic	Trend	Limited	Base	ECONetic	Trend	Limited
Exterior appearance and styling								
Front bumper – Self colour (on Trend series only available with SVO paint)	●	●	○	–	●	●	○	–
Front bumper – Body colour	–	–	●	●	–	–	●	●
Rear bumper – Self colour	●	●	–	–	●	●	–	–
Rear bumper – Self-colour with body colour end-caps	–	–	●	●	–	–	●	●
Cargo door/ liftgate handle – Self colour	●	●	●	–	●	●	●	–
Cargo door/ liftgate handle – Body colour	–	–	–	●	–	–	–	●
Door mirrors – Manual door mirror (manual fold-back) black housings with blind spot eliminator	●	●	–	–	●	●	–	–
Door mirrors – Electrically-operated and heated, self colour with blind spot eliminator**	○	○	●	–	○	○	●	–
Door mirrors – Electrically-operated, autofold and heated, self colour with blind spot eliminator**	–	–	○	–	–	–	○	–
Door mirrors – Electrically-operated, autofold and heated, body colour with blind spot eliminator**	–	–	–	●	–	–	–	●
Front grille – Self colour	●	●	●	–	●	●	●	–
Front grille – High gloss chrome grille splitter	–	–	–	●	–	–	–	●
Wide bodyside moulding – Self colour	●	●	●	–	●	●	●	–
Wide bodyside moulding – Body colour	–	–	–	●	–	–	–	●
Front lip spoiler (not available on petrol engines)	●	●	●	●	●	●	●	●
Mudflaps, front and rear	○	○	○	○	○	○	○	○
Exterior functional								
Doors – Dual side loading (standard on DCiV and Kombi, n/a on 1.0 Petrol Base Van)	○	–	○	○	○	–	○	○
Doors – Kerbside load door (standard on Vans) n/a on DCiV and Kombi	●	●	●	●	●	●	●	●
Doors – liftgate, glazed and heated (n/a on 1.0 Petrol Base Van or DCiV. Standard on Kombi)	○	–	○	–	○	–	○	–
Doors – Rear cargo doors hinged	●	●	●	●	●/○	●	●	●
Doors – Glazed, heated rear cargo doors hinged	○	–	○	–	○	–	○	–
Towing hooks – Front and rear	●	●	●	●	●	●	●	●
Tow bar – fixed (includes 13 pin E-kit and Trailer Sway Control (TSC)) (N/A on L1 DCiV Base and 1.0 Petrol Base Van)	○	–	○	○	○	–	○	○
Tow bar – detachable (includes 13 pin E-kit and Trailer Sway Control (TSC)) (N/A on L1 DCiV Base and 1.0 Petrol Base Van)	○	–	○	○	○	–	○	○
Tow bar preparation kit. Allows quick installation of a tow bar. Includes Trailer Sway Control and pre-assembled trailer light module. A 13pin e-kit is required.	○	–	○	○	○	–	○	○
Parking distance sensors – Rear	○	○	○	●	○	○	○	●
Parking distance sensors – Front & rear (n/a on Kombi & DCiV Base)	○	○	○	○	○	○	○	○
2-speed variable intermittent front wipers	●	●	●	–	●	●	●	–
Rain sensing wipers (with Automatic headlights; only in combination with Quickclear heated windscreen)	□	–	□	●	□	–	□	●
Rear window washer/wiper (standard on Kombi) can only be ordered with Glazed Rear Doors	○	–	○	–	○	–	○	–
Fixed 2nd row windows (DCiV only – standard on Kombi)	○	–	○	–	○	–	○	–
Sliding 2nd row windows (available on Kombi only)	–	–	–	–	○	–	–	–
Privacy Glass (DCiV and Kombi only). Must be ordered with side windows and/or rear glazing	○	–	○	–	○	–	○	–
Quickclear heated windscreen includes heated washer jets	○	○	●	●	○	○	●	●
Rear ladder	○	–	○	–	○	–	○	–
Roof rails (n/a on DCiV L2)	○	○	○	○	○	○	○	○
Roof rails with crossbars (Only available on L1 DCiV and L2 Kombi MI)	○	–	○	–	○	–	○	–
Wheels and Tyres								
Spare wheel (standard on Van, excluding ECONetic and 1.0 Petrol Base Van, optional DCiV/Kombi. N/A on DCiV L1 Base series)	●/○	–	●/○	●	●/○	–	●/○	●
Tyre inflator Kit (standard on DCiV/Kombi/ECONetic, 1.0 Petrol Base Van, optional on Van)	○/●	●	○/●	○	○/●	●	○/●	○
Steel with centre caps – 16" x 6½", Base (fitted with 205/60 tyres)*	●	●	–	–	●	●	–	–
Steel with wheel covers – 16" x 6½", Trend (fitted with 205/60 tyres)*	–	–	●	–	–	–	●	–
Alloy – 16" x 6½" 5-spoke (fitted with 205/60 tyres) (N/A on DCiV and Kombi)	–	–	○	●	–	–	○	●
Alloy - Premium Silver 16" x 6½" 5-spoke (fitted with 205/60 tyres)	–	–	○	○	–	–	○	○
All weather tyres	○	○	○	○	○	○	○	○
Mud and snow tyres	○	○	○	○	○	○	○	○

Quickclear heated windscreen

Designed to demist the screen in seconds, even on frosty mornings. (Standard on Trend and Limited)



Exterior

	L1				L2			
	Base	ECONetic	Trend	Limited	Base	ECONetic	Trend	Limited
Exterior lighting								
Fog lights – Front	–	–	●	–	–	–	●	–
Fog lights – Adaptive cornering	○	○	○	●	○	○	○	●
Fog lights – Rear	●	●	●	●	●	●	●	●
Halogen headlights, side lights, rear fog light, reversing light	●	●	●	●	●	●	●	●
Headlights – Automatic On/Off	□	–	○	●	□	–	○	●
Daytime running lights	●	●	●	●	●	●	●	●
High-mounted rear brake light	●	●	●	●	●	●	●	●
Option Packs								
Visibility Pack (Static Cornering Foglamps, Auto headlamps and Rain Sensitive Wipers, Quickclear Heated front screen, Power/Heated Mirrors). Van only	○	–	–	–	○	–	–	–
Comfort Pack (air conditioning, cruise control with Adjustable Speed Limiting Device). N/A on L1 Base DCiV or Petrol Base Van	○	○	○	–	○	○	○	–

● = Standard, ○ = Option, at extra cost, □ = Part of an option pack, at extra cost. **L1** = Short wheelbase, **L2** = Long wheelbase. *The wheel you choose will be fitted with the tyre size noted, but no choice of tyre brand is available. ** Vehicles fitted with the Lane Keeping Aid option, which includes Blind Spot Information System, are fitted with door mirrors that do not include a Blind Spot Eliminator. Please see page 9 for information.

Interior

	L1				L2			
	Base	ECONetic	Trend	Limited	Base	ECONetic	Trend	Limited
Audio and communication systems								
Radio with DAB, steering wheel radio controls including message centre, four speakers, and MP3 capability and Bluetooth® ICE Pack 2	●	●	–	–	●	●	–	–
Radio/CD with DAB, 3.5" dot-matrix display, including message centre, 4 speakers and MP3 capability and Ford SYNC including Emergency Assistance**, Bluetooth® and Voice Control and audible text messaging, USB and Privacy mode ICE Pack 6	○	○	●	●	○	○	●	●
Radio/CD with DAB, 6" TFT Touchscreen display, diversity antenna, four speakers and MP3 capability and Ford SYNC 3 with Voice Control, Touchscreen, Apple CarPlay, Android Auto, Emergency Assistance**, hands-free calling, GPS, Bluetooth® and Voice Control and audible text messaging, 2x USB, rear parking sensors and fixed rear-view camera. ICE Pack 10	○	○	○	○	○	○	○	○
Radio/CD with DAB and Satellite Navigation. 6" TFT Touchscreen display with Nav, diversity antenna, four speakers and MP3 capability and Ford SYNC 3 with Navigation Centre, Voice Control, Touchscreen, Apple CarPlay, Android Auto, Emergency Assistance**, hands-free calling, GPS, Bluetooth® and Voice Control and audible text messaging, 2x USB, rear parking sensors and fixed rear-view camera. ICE Pack 9	○	○	○	○	○	○	○	○
Interior trim								
Door handle – Black	●	●	●	–	●	●	●	–
Door handle – Chrome finish (standard on DCiV Trend)	–	–	–	●	–	–	–	●
Gearshift knob – Urethane	●	●	●	●	●	●	●	●
Floor cover – Rubber (Standard on Van and DCiV, Option on Kombi)	●	●	●	●	●	●	●	●
Carpet 1st and 2nd row (Kombi only)	–	–	–	–	●	–	–	–
Interior lighting								
Courtesy lights – Front dome	●	●	–	–	●	●	–	–
Courtesy lights – Front dome light with 2 map lights	–	–	●	●	–	–	●	●
Courtesy lights – Rear dome light (standard on DCiV/Kombi; n/a on Van)	●	–	●	–	●	–	●	–
Load compartment light – Standard (n/a on DCiV/Kombi)	●	●	●	–	●	●	●	–
Load compartment light – LED high power (n/a on DCiV/Kombi)	○	○	○	●	○	○	○	●
Illuminated glovebox	–	–	–	●	–	–	–	●
Instruments and controls								
Steering wheel – 4-spoke PU	●	–	–	–	●	–	–	–
Steering wheel – 4-spoke PU with black shells	□	●	●	–	□	●	●	–
Luxury steering wheel – 4-spoke with aluminium shells	□	□	□	–	□	□	□	–
Steering wheel – 4-spoke leather-wrapped	□	□	□	●	□	□	□	●
Trip/fuel computer with remote steering wheel control (indicates distance travelled and outside temperature)	●	●	●	●	●	●	●	●
12 V Powerpoint in console	●	●	●	●	●	●	●	●
12 V Powerpoint in the load compartment (N/A on Base DCiV and Kombi)	–	–	○	○	–	–	○	○
Instrument panel storage box	●	●	●	●	●	●	●	●
Seats and seat belts								
Seat adjuster – Driver 2-way manual fore/aft+recline	●	●	–	–	●	●	–	–
Seat adjuster – Drive 4-way manual fore/atf, up/down+recline	○	○	●	●	○	○	●	●
Seat adjuster – Passenger 2-way manual fore/aft+recline	●	●	–	–	●	●	–	–
Seat – Single passenger seat. Must be ordered with appropriate bulkhead	●	●	□	–	●	●	□	–
Seat – Dual passenger seat (N/A for DCiV and Kombi). Must be ordered with the appropriate bulkhead	□	–	●	●	□	–	●	●
Third row dual individual seat (MI Kombi L2 only)	–	–	–	–	–	–	–	–
Driver belt minder	●	●	●	●	●	●	●	●
Driver heated seat (Available as an option on Trend van only and only with dual passenger seat pack)	–	–	○	●	–	–	○	●
Passenger seat – Flip/Fold/Tumble (Fold flat passenger seat functionality) (N/A for DCiV)	□	–	●	●	□	–	●	●
Driver seat lumbar support	□	□	●	●	□	□	●	●
Seat belts – Front, 3 point, with seat pre-tensioner, height adjust and load limiters	●	●	●	●	●	●	●	●

● = Standard, ○ = Option, at extra cost, □ = Part of an option pack, at extra cost. **L1** = Short wheelbase, **L2** = Long wheelbase. **Ford Emergency Assistance operates in over 40 European Countries and regions. This feature works when paired with a compatible mobile phone that is with you when any airbag is deployed (excludes knee airbags and rear inflatable safety belts, if equipped) or the fuel pump shut off switch is activated. See your local Ford website for latest information.

L1 L2

	Base	ECOnetic	Trend	Limited	Base	ECOnetic	Trend	Limited
Comfort and convenience								
Dual front cup holders	●	●	●	●	●	●	●	●
Rear-view camera with mirror display	○	○	○	○	○	○	○	○
Rear-view camera fixed with SYNC screen display	□	□	□	□	□	□	□	□
Glovebox lid (standard on DCIV and Kombi)	□	□	●	●	□	□	●	●
Overhead storage, front	●	●	●	●	●	●	●	●
Windows – Electrically-operated front with one-touch lowering (Driver side only)	●	●	●	-	●	●	●	-
Front windows – Electrically-operated with one touch up & down	-	-	-	●	-	-	-	●
Air conditioning – Manual with manual recirculation facility (not available with 1.0 petrol engine, not available on L1 DCIV Base Series)	○	○	○	●	○	○	○	●
Air conditioning – Manual with smart recirc function (only available with 1.0 petrol engine Trend series Van and DCIV)	-	-	○	-	-	-	○	-
Air conditioning – Dual Zone Electronic Automatic Temperature Control (DEATC) with electronic recirculation facility. Van only	-	-	○	○	-	-	○	○
Smoker's Pack – Cigarette lighter and ashcup	○	○	○	○	○	○	○	○
Interior grab handles Front	●	●	●	●	●	●	●	●
Rear coat hooks (L2 DCIV/Kombi only)	●	-	●	-	●	-	●	-
Loadspace compartment								
Cargo side wall tie down hooks (6 Van, 4 Kombi)	●	●	●	●	●	●	●	●
Complete rear trim board (not available DCIV/Kombi)	□	●	●	●	□	●	●	●
Load floor liner	-	-	●	●	-	-	●	●
Bulkhead – Moveable full width, full-height mesh (DCIV only)	●	●	●	-	●	-	●	-
Bulkhead – Full width steel (Van only). Standard with single passenger seat.	●	●	○	-	●	-	○	-
Bulkhead – Full width steel – fixed window (Van only). Optional with single passenger seat.	○	○	○	-	○	○	○	-
Bulkhead – Full width steel – with loadthrough hatch (Van only). Standard with dual passenger seat.	○	-	●	●	○	-	●	●
Bulkhead – Full width steel – with loadthrough hatch and fixed window (Van only). Optional with dual passenger seat.	○	-	○	-	○	-	○	-
Rear window protection grille (with Cargo doors only)	○	-	○	-	○	-	○	-
Cargo Retention Net (Vertical) – Kombi only	-	-	-	-	○	-	-	-

● = Standard, ○ = Option, at extra cost, □ = Part of an option pack, at extra cost. L1 = Short wheelbase, L2 = Long wheelbase. **Ford Emergency Assistance operates in over 40 European Countries and regions. This feature works when paired with a compatible mobile phone that is with you when any airbag is deployed (excludes knee airbags and rear inflatable safety belts, if equipped) or the fuel pump shut off switch is activated. See your local Ford website for latest information.

Static Cornering Fog Lights¹⁾

Designed to provide additional illumination of the area to the side of the vehicle when cornering, making night-time parking and turning safer. (Option, Standard on Limited)



Make it yours

Choosing the colour and trim for your new Ford Transit Connect is an opportunity to make a bold style statement.



Frozen White
Solid body colour



Race Red
Solid body colour



Blazer Blue
Solid body colour



Moondust Silver
Metallic body colour*



Shadow Black
Mica body colour*



Deep Impact Blue
Metallic body colour*



Guard
Metallic body colour*



Metalicious
Metallic body colour*



Magnetic
Metallic body colour*

Base Insert: Artec in Pewter Bolster: Prima in Pewter	Base Insert: Traxon in Charcoal Black Bolster: Max in Charcoal Black	Trend Insert: Route in Charcoal Black Bolster: Max in Medium Stone	Limited Insert: Chicane in Charcoal Black Bolster: Malt in Charcoal Black	

12-year perforation warranty

The new Transit Connect owes its durable exterior to a thorough multi-stage painting process. From the wax-injected steel body sections to the environmentally friendly water-based top coat, Transit Connect will retain its good looks for many years to come.

Note The images used are to illustrate body colours only and may not reflect the vehicle described. Colours and trims reproduced within this brochure may vary from the actual colours, due to the limitations of the printing processes used.

*Metallic and mica body colours are options, at extra cost.

Making life easy

Our range of finance, service and assistance options is designed with just one thing in mind – making life easy for you.

Ford Transit24

At Ford we recognise the importance of minimising downtime, inconvenience and expense – that's why we provide first-class aftersales support.

When it comes to the service, maintenance and repair of your Ford commercial vehicles, look no further than your nearest Transit Centre. Dedicated to looking after your vehicle, Transit Centres offer specialised workshop equipment, tools and training, and can look after all your service, maintenance and warranty work.

Convenient servicing

While-you-wait servicing Your commercial vehicle can be serviced when it suits you. Late night service appointments are available at least once a week and we respond to 1link online service booking requests within twenty minutes.

Collection and delivery This can be arranged at the time of your service booking for locations within a reasonable travelling time. So that it looks its best, your vehicle will be washed.

MOTs and more Transit Centres can handle MOTs (including Class 5 and 7 tests), tachograph servicing and speed limiting (VOSA approved).

Other benefits

Ford parts availability Ford will endeavour to ensure any parts required will either be in stock or delivered anywhere on the UK mainland by 9am the next working day.

Genuine Ford parts quality All parts are designed and engineered by Ford, to Ford standards. Parts fitted to a vehicle outside of warranty carry a 'fitted in service' parts warranty.

Ford diagnostics For speedy and accurate fault diagnosis, we provide a sophisticated, internet-linked vehicle diagnostics system.

Ford trained technicians Ford commercial vehicle dealers have Ford-trained technicians, supported by online technical information and a Ford technical hotline.

Unscheduled repairs When your commercial vehicles aren't working, neither are your drivers. Our priority is to get your vehicle back on the road as quickly and as efficiently as possible.

Priority treatment for urgent repairs Initial diagnosis on urgent (vehicle off-road) repairs is carried out on arrival, with parts ordered within two hours of arrival – especially helpful when a replacement vehicle won't do. We aim to complete most repairs the same working day.

Dedicated backup from Ford

Ford Fleet Electronic Recall Programme This simplifies the process of recalls and improves communications with the operators of affected vehicles.

Ford Fleet Service Centre A dedicated team of experienced service advisors to assist with your aftersales issues.

Ford Fleet Accident Management Whatever the make of the vehicle, we offer a free, ethical and comprehensive accident management programme.

Efficiency, accuracy and convenience are at the heart of the Ford Transit24 commercial vehicle service promise. So, whether it's servicing, maintenance or repair you need, be sure to come and see us.

For more information and to find your nearest Transit Service Dealer, visit the aftersales support section at www.ford.co.uk/fordfleet

Commercial Vehicle Finance

When it comes to financing your Ford Commercial Vehicle, our size and expertise means we're well placed to provide you with a wide range of finance products.

Ford Credit*: Provides a range of finance plans for Commercial Vehicle customers interested in owning their vehicle.

Ford Lease^: Specialises in contract hire and leasing and provides an alternative range of finance plans which can be tailored to suit your business. Business users only.

Important Information:

*Ford Credit: Finance subject to status. Guarantees may be required. Freepost Ford Credit.

Ford Credit is a trading style of FCE Bank plc, which is authorised by the Prudential Regulation Authority and regulated by the Financial Conduct Authority and Prudential Regulation Authority under firm reference number 204469.

^Ford Lease: Ford Lease is provided by ALD Automotive Ltd, trading as Ford Lease, BS16 3JA. ALD Automotive is registered in England No. 987418. For the purposes of the Data Protection Act 1998 the data controllers in relation to any information you supply are Ford Motor Company Limited, FCE Bank Plc and ALD Automotive. Finance subject to status. Guarantees and indemnities may be required. ALD Automotive is authorised and regulated by the Financial Conduct Authority in respect of general insurance products. Ford Lease is a registered trademark of Ford Motor Company Limited.

Services

To find the location of your nearest Transit Centre simply visit the Ford Dealer locator at www.fordvans.co.uk

Ford Warranty Every new Ford Fiesta Van and Ford Ranger is protected by a 3-year/ 60,000 mile* warranty*.

Ford Transit, Transit/Tourneo Custom, Transit/Tourneo Connect and Transit Courier are protected by a 3-year/100,000 mile warranty*.

Ford Transit Chassis Cab One-Stop bodywork is covered by a 3-year/100,000 mile warranty* and a 3-year Perforation Warranty provided by the bodywork supplier.

Ford Perforation Warranty Ford Ranger, Transit, Transit/Tourneo Custom, Transit/Tourneo Connect, Transit Courier and Fiesta Van are covered by the Ford Perforation Warranty* for 12 years from the date of first registration. Please see your Ford Transit Specialist Dealer for details.

Ford Assistance Ford Transit, Transit Custom, Transit Connect and Ranger are supplied with a minimum of a 1-year Ford Assistance roadside package. Further details are available either on www.ford.co.uk or from your local Ford Dealer.

Ford Accident Repair Centres Approved Ford Accident Repair Centres meet rigorous Ford standards and are the best place to return your vehicle to its pre-accident condition.

Contacts

Ford Customer Relationship Centre In the unlikely event that your Ford Dealer can't help you or if you need to speak to us directly, call 0203 564 4444 at local rates.

Ford Rental – local service nationwide Car and Van rental from our latest model range. Contact your local Ford Dealer for more information.

Ford Motability Call our Ford Motability team on 0345 6040019

* year 1 - unlimited mileage

° Subject to terms and conditions



MY 2017.75 GBR en

Illustrations, descriptions and specifications. This catalogue was correct at the time of going to print. However, Ford policy is one of continuous product development. The right is reserved to change specifications, colours and prices of the models and items illustrated and described in this publication at any time. For the latest details always consult your Ford Dealer. **Optional equipment.** Throughout this publication, wherever a feature is described as being an 'Option' or 'Option Fitment/Pack' etc, you should assume that it will be at extra cost to the base vehicle, unless specifically stated to the contrary. All models and colour combinations are subject to availability. **Note.** Some images portrayed are of a pre-production model and/or are computer generated, therefore, the design/features on the final version of the vehicle may differ in various respects. In addition, some of the features shown on the vehicles may be optional. **Note.** This brochure contains both original Ford accessories as well as a range of products from our suppliers. **+**The identified accessories are carefully selected third party supplier branded accessories which do not come with a Ford warranty but are covered by the third party supplier's own warranty, the details of which can be obtained from your Ford Dealer. **Note.** The Bluetooth® word mark and logos are owned by the Bluetooth SIG, Inc. and any use of such marks by Ford Motor Company is under licence. The iPod word mark and logos are the property of Apple Inc. Other trademarks and trade names are those of their respective owners. **Note.** Some driver assistance features and safety features described in this brochure are designed to function using sensors, whose performance may be affected under certain weather or environmental conditions.

The Government fuel figures do not express or imply any guarantee of the fuel consumption of any particular vehicle. The vehicles themselves have not been tested and there are inevitably differences between individual vehicles of the same model. In addition, a vehicle may incorporate particular modifications. Furthermore, the driver's style and road and traffic conditions, as well as the extent to which the vehicle has been driven and the standard of maintenance, will affect its fuel consumption. **Insurance groups** are only as recommended by the Association of British Insurers. You should always consult your insurance adviser for confirmation.



Ford and BP – working together to reduce fuel consumption and emissions.



A Smarter Way to Move.

Learn more at fordpass.de



Ford One Call

In the unlikely event that your Ford Dealer can't help you or if you need to speak to us directly, call 0203 564 4444

Ford Rental - local service nationwide

Car and Van rental from our latest model range. Contact your local Ford Dealer for more information

Ford Motability

Call our Ford Motability team on 0345 6040019

Finance

Ford Credit Customer Services 0345 712 5490
 Ford Lease Customer Services 0344 600 1405
 Calls to 0344 and 0345 numbers are charged at the same rate as a standard 01 or 02 geographic number, even when calling from a mobile.

Published by Ford Motor Company Limited, Brentwood, Essex, England. Registered in England No. 235446.

FA 1590/5
 BJN 205868. FoE H60E.
 PN 777505/0617/6m/GBR en
 February 2017.

© Ford Motor Company Limited.

www.ford.co.uk